

7030T1 7030Z1 7030M10 Set



**NOTE: COMPONENTS SHIPPED LOOSE
NOT ASSEMBLED.**

Product Number
00703032C11

Design Features

- Materials
 - Hood
 - Gray Iron (CL35B)
 - Curb Inlet Frame
 - Gray Iron (CL35B)
 - Grate
 - Gray Iron (CL35B)

- Load Rating
 - Heavy Duty
- Open Area
 - n/a
- Coating
 - Dipped
- √ Designates Machined Surface

Certification

- ASTM A48
- Country of Origin: USA

Major Components

- 00703064
- 00703012
- 00703032

Drawing Revision

- 3/8/2018 Designer: MAH
- 1/25/2019 Revised By: DEF

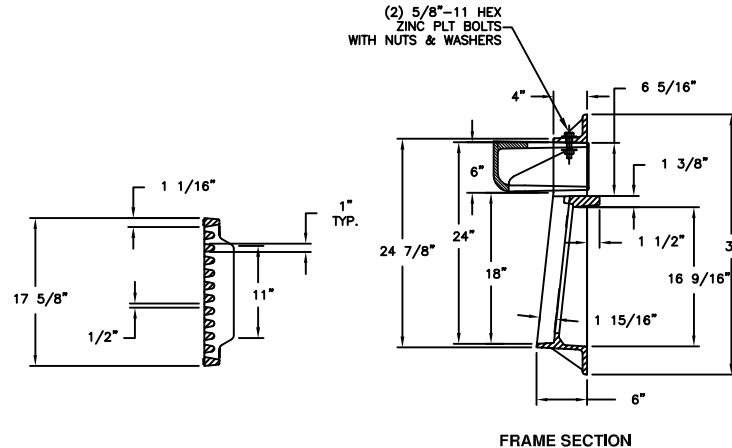
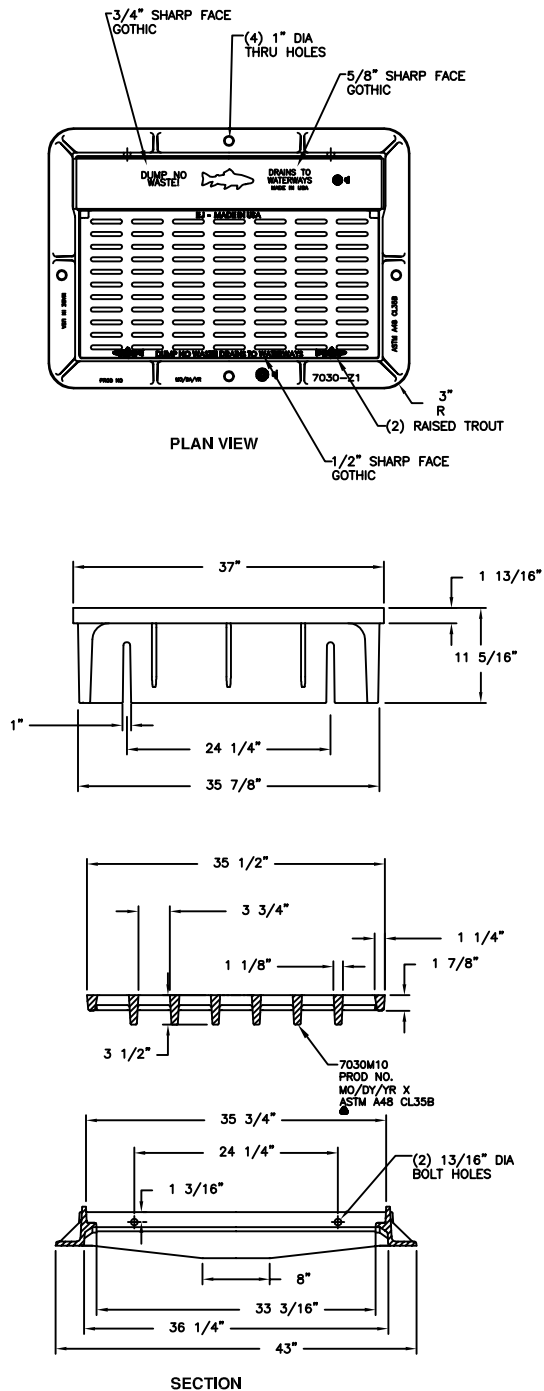
Disclaimer

Weights (lbs./kg) dimensions (inches/mm) and drawings provided for your guidance. We reserve the right to modify specifications without prior notice.

CONFIDENTIAL: This drawing is the property of EJ GROUP, Inc., and embodies confidential information, registered marks, patents, trade secret information, and/or know how that is the property of EJ GROUP, Inc. Copyright © 2019 EJ GROUP, Inc. All rights reserved.

Contact

800 626 4653
ejco.com



CURB ADJUSTMENT
3 1/4" TO 9"

Supplied By:
TRENCHDRAIN SUPPLY
877-903-7246
www.trenchdrainsupply.com